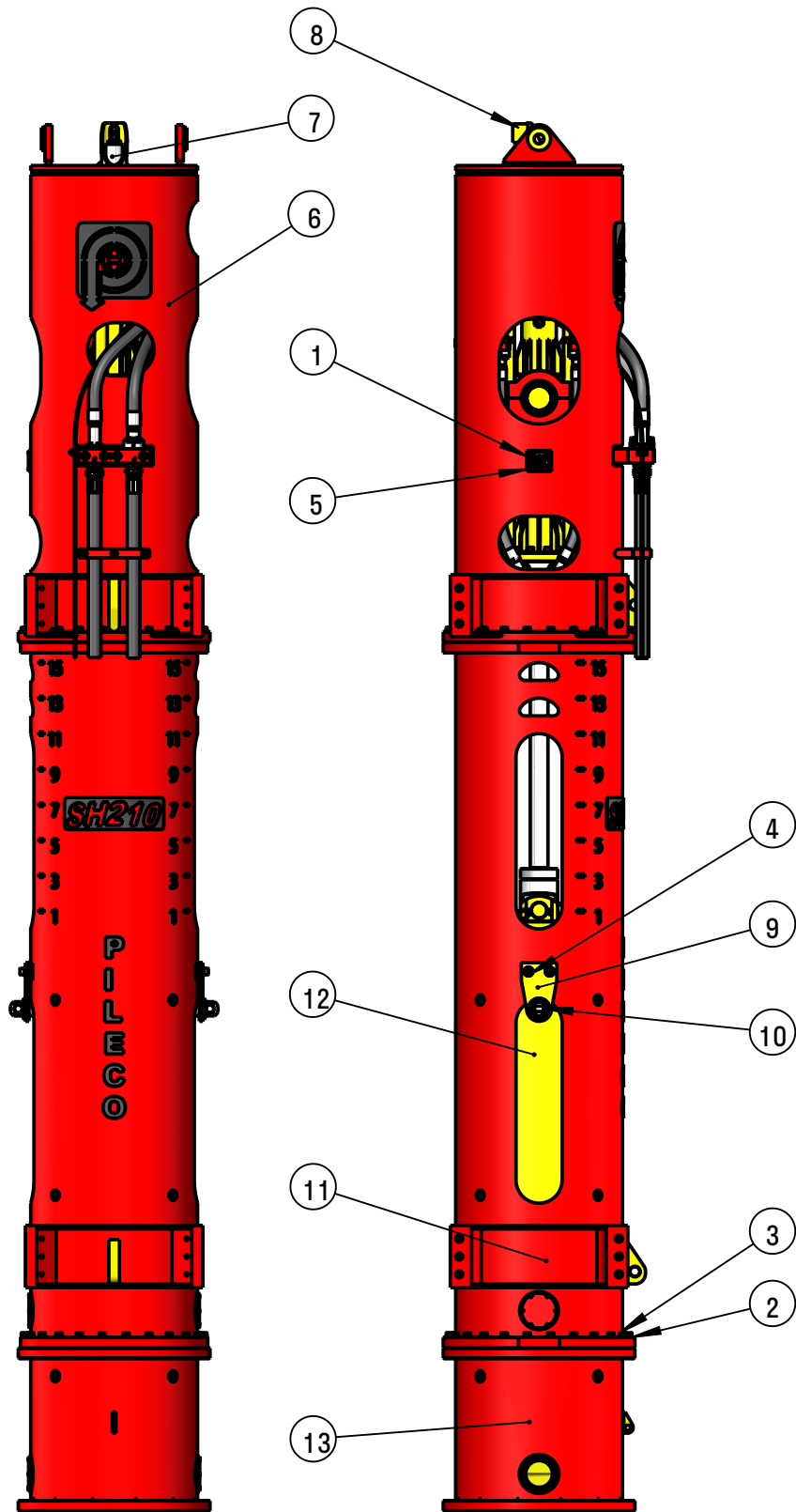


SH210 Hydraulic Hammer Parts Manual



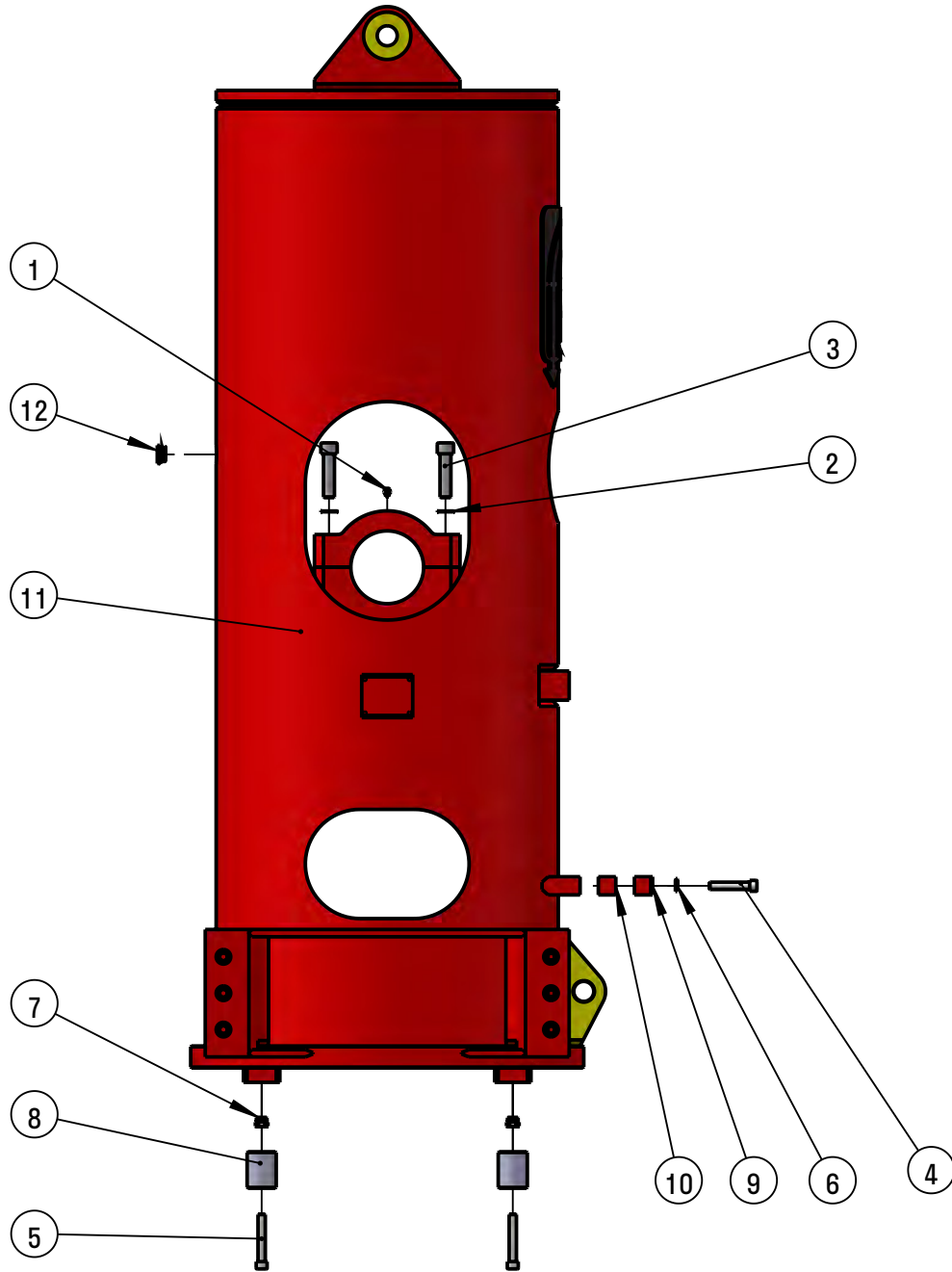
491 Conroe Park W. Dr.
Conroe, TX 77303
main: 936.494.4200
fax: 936.494.4517
email: sales@pileco.com



SH14.00_V10_2LINE

SH14.00_V10_2LINE SH210 Hydraulic hammer SH210 (310000)

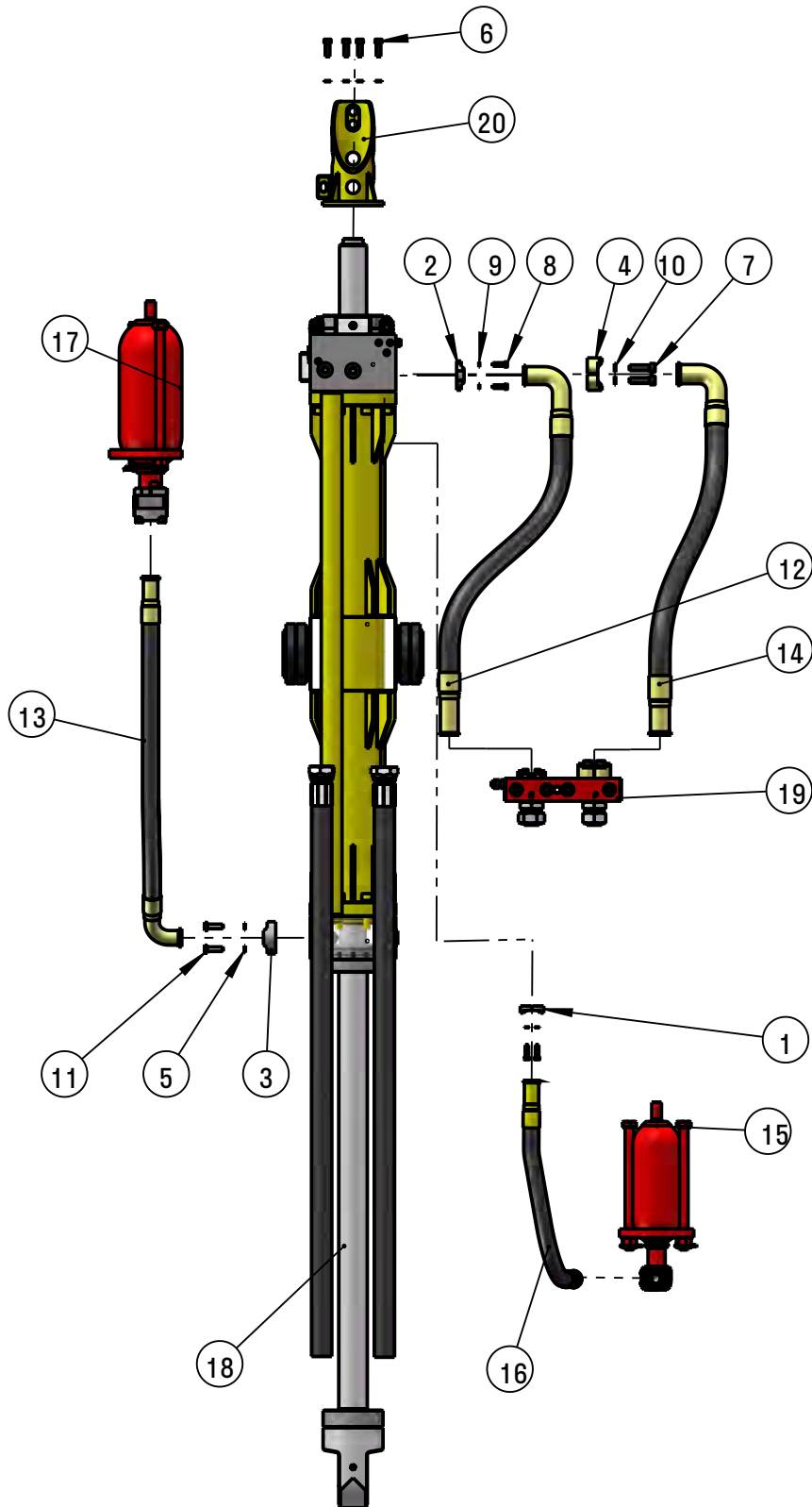
No.	Description	Q'ty	Parts-no.
1	NAMEPLATE	1	310001
2	SCHNORR SAFETY WASHER 24	48	310002
3	Hexagonal socket head screw M24 X 100	48	310003
4	Hexagonal socket head screw M24 X 70	4	310004
5	Internal hexagon flat round head screw M6 X 12	4	310005
6	Upper cylinder assembly	1	310100
7	Lift the hydraulic system assembly of the oil cylinder	1	310200
8	Cable Assembly	1	310300
9	fixed plate	2	310006
10	Bolt	2	310007
11	Lower cylinder assembly	1	310400
12	Hammer core assembly 14T	1	310500
13	Extended cylinder assembly 14T	1	310600



SH10.03.00_V10

SH10.03.00_V10 Upper cylinder assembly (310100)

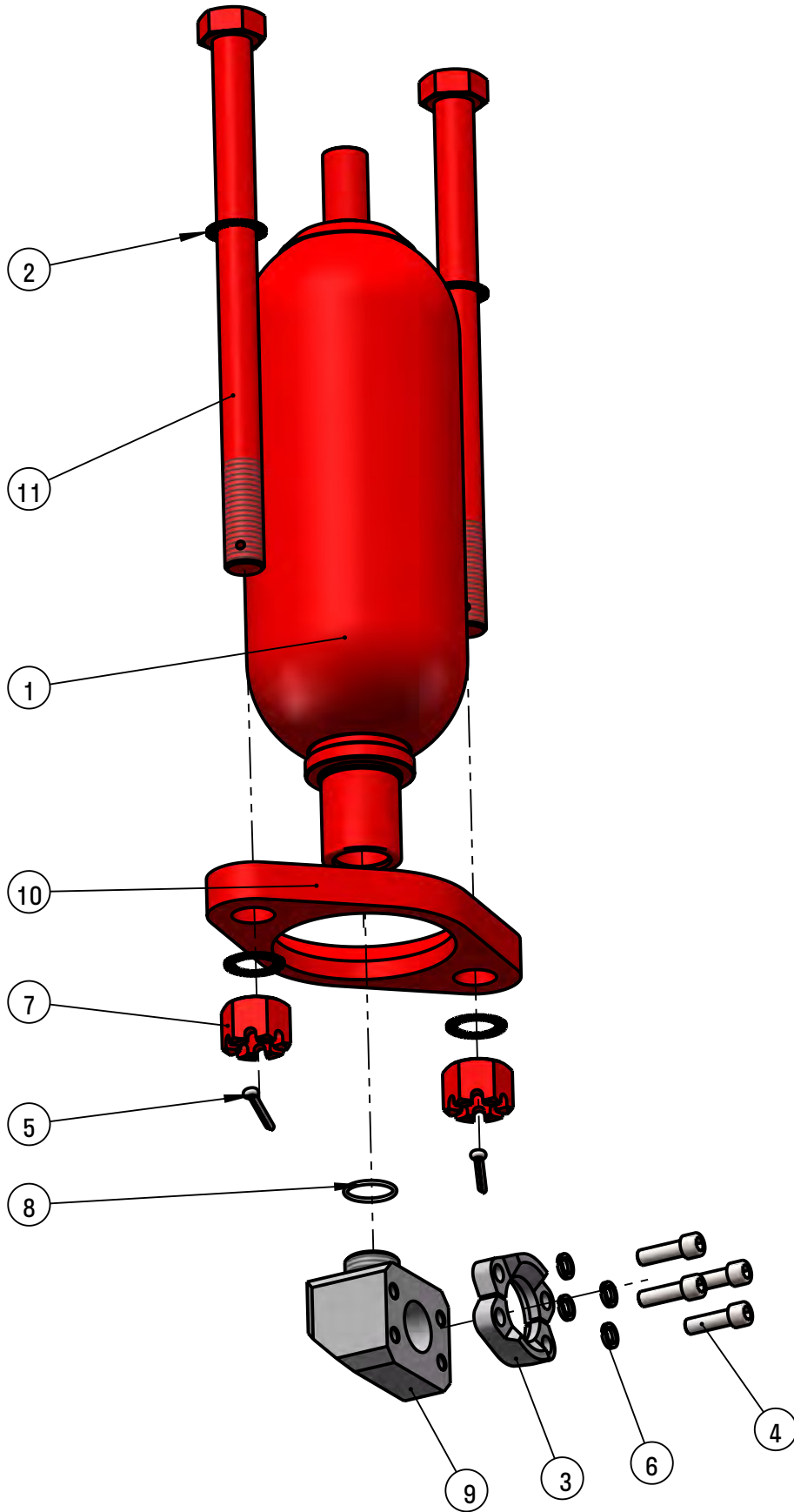
No.	Description	Q'ty	Parts-no.
1	Grease nipple M10×1	2	90791
2	SCHNORR SAFETY WASHER	4	310101
3	Hexagonal socket head screw M30 X 120	4	310102
4	Hexagonal socket head screw M20 X 110	3	310103
5	Hexagonal socket head screw M20 X 130	4	310104
6	Standard spring washer 20	3	310105
7	Type 2 non-metallic embedded hexagonal lock nut M20	4	310106
8	Bumper block	4	310107
9	Two line pressure plate	1	310108
10	Two line base plate	1	310109
11	Upper cylinder	1	310110
12	plug	1	310111



SH10.04.00_V10

SH10.04.00_V10 Lift the hydraulic system assembly of the oil cylinder (310200)

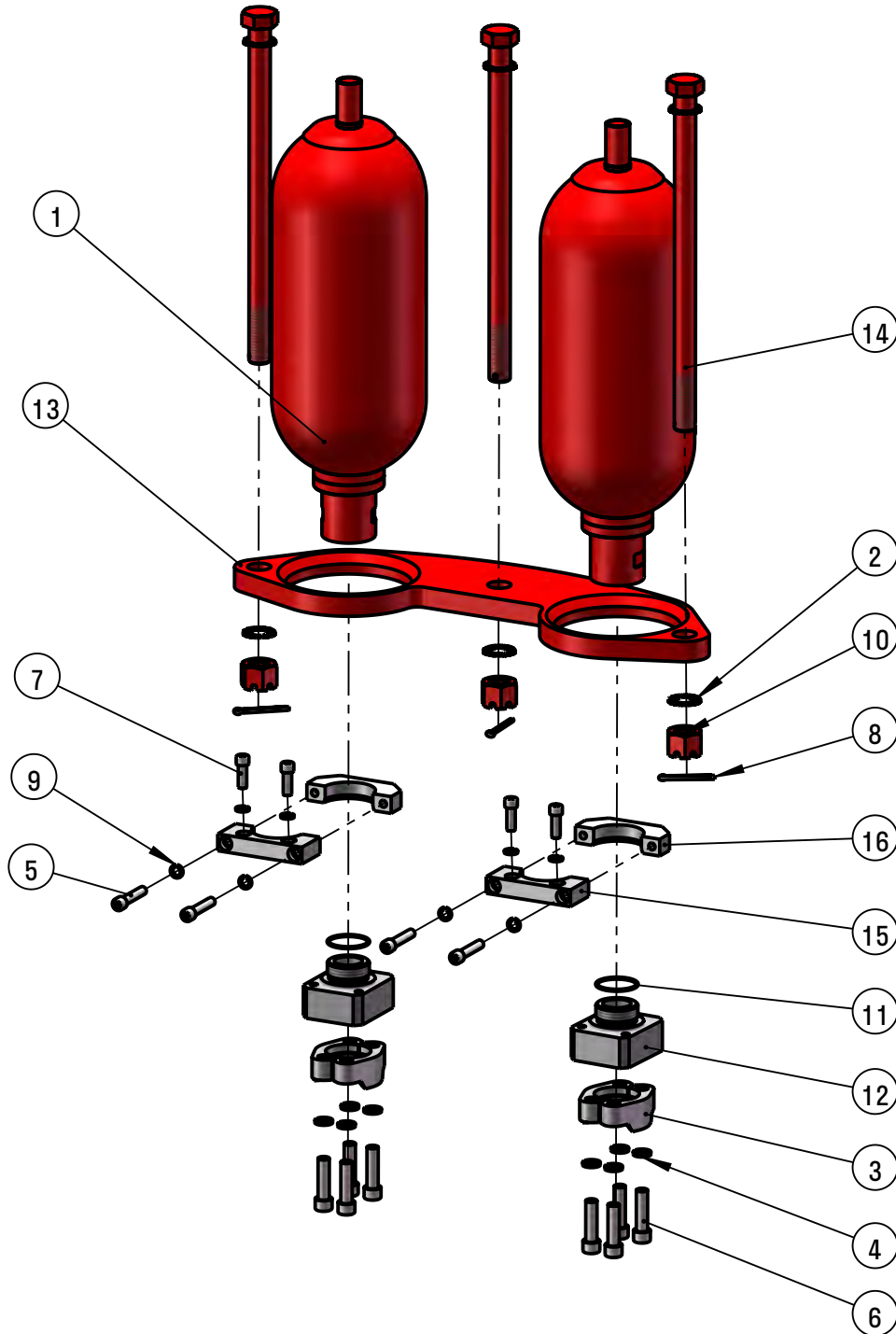
No.	Description	Q'ty	Parts-no.
1	1-1/2"SAE flange clamp	1	310201
2	2"SAE flange clamp	1	310202
3	1-1/2"SAE flange clamp	2	310203
4	2"SAE flange clamp	1	310204
5	Standard spring washer-16	16	310205
6	Hexagonal socket head screw M16X50	8	310206
7	Hexagonal socket head screw M20X70	4	310103
8	Hexagonal socket head screw M12X35	8	310207
9	Standard spring washer-12	8	310208
10	Standard spring washer 20	4	310105
11	Hexagonal head bolt with full thread M16X55	8	310209
12	Oil cylinder return pipe assembly	1	310210
13	High pressure accumulator oil pipe assembly	2	310211
14	Oil cylinder supply pipe assembly	1	310212
15	Low pressure accumulator assembly	1	312100
16	Low pressure accumulator oil pipe assembly	1	310213
17	High pressure accumulator assembly	1	312200
18	Lift the oil cylinder assembly	1	312300
19	Oil pipe connection seat assembly	1	312400
20	Sensor installation seat	1	310214



SH10.04.06

SH10.04.06 Low pressure accumulator assembly (312100)

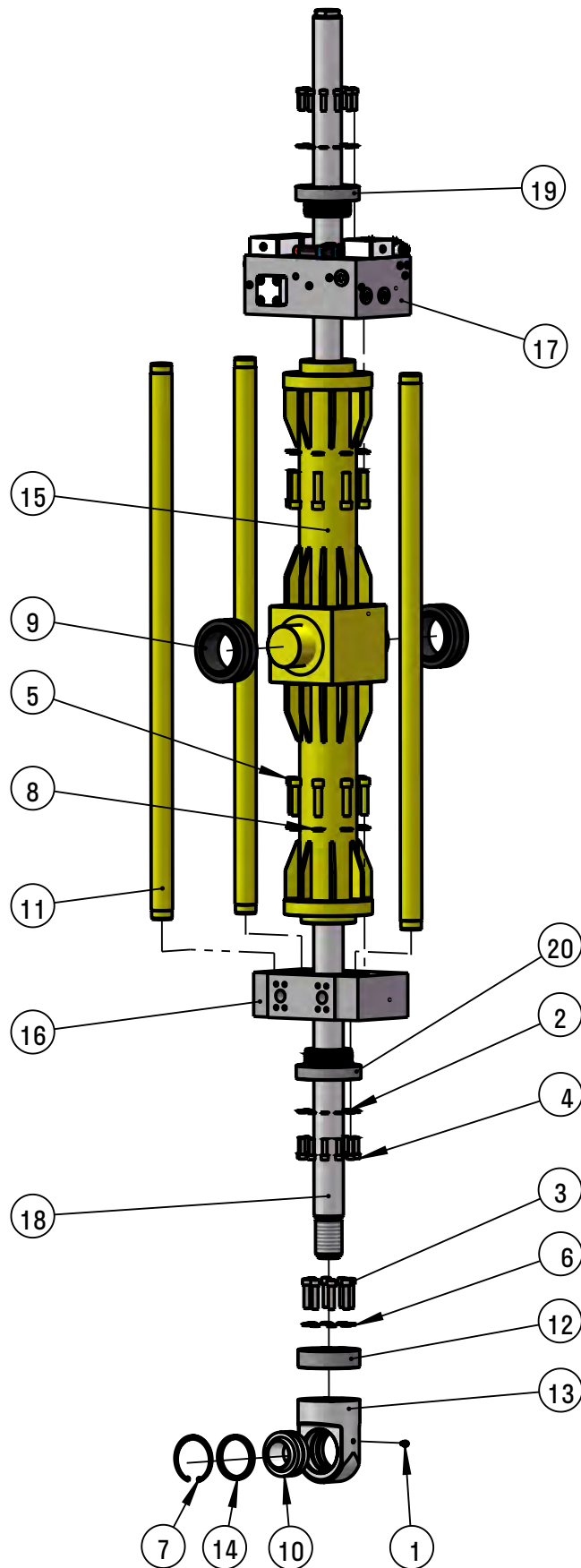
No.	Description	Q'ty	Parts-no.
1	Low pressure accumulator	1	312101
2	SCHNORR SAFETY WASHER	4	310101
3	1-1/2"SAE flange clamp	1	310203
4	Hexagonal socket head screw M12X35	4	310209
5	Cotter pin 6.3X63	2	312102
6	Standard spring washer-12	4	310210
7	Type 1 hexagonal slotted nut M30	2	312103
8	o-ring ϕ 36.5X3.55	1	312104
9	90 ° Connector	1	312105
10	Single hole pressure plate	1	312106
11	Hexagonal bolt M30X430	2	312107



SH10.04.09

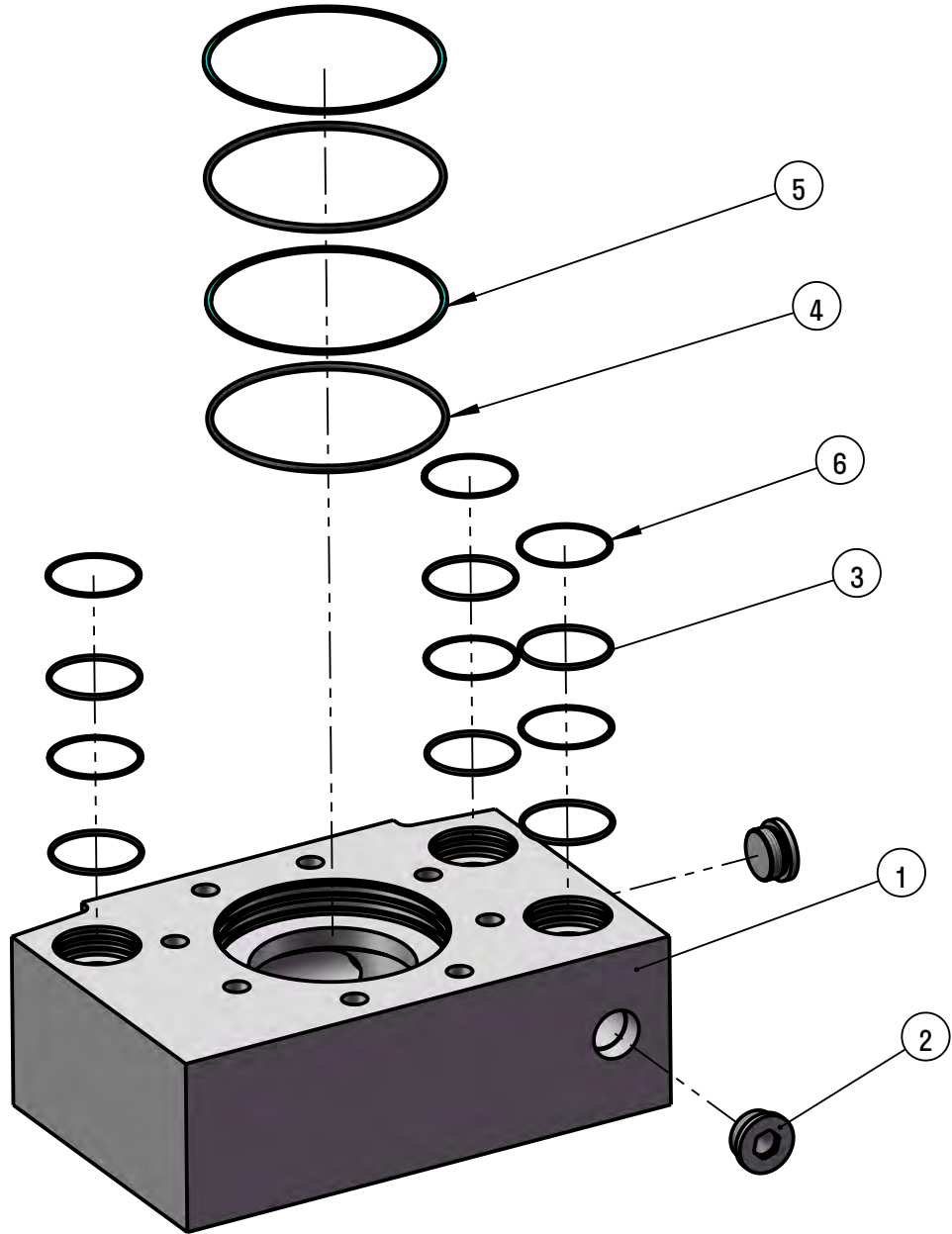
SH10.04.09 High pressure accumulator assembly(312200)

No.	Description	Q'ty	Parts-no.
1	High pressure accumulator	2	312201
2	SCHNORR SAFETY WASHER	6	310101
3	1-1/2"SAE flange clamp	2	310205
4	Standard spring washer-16	8	310207
5	Hexagonal socket head screw M12X65	4	312202
6	Hexagonal socket head screw M16X55	8	312203
7	Hexagonal socket head screw M12X35	4	310209
8	Cotter pin 6.3X63	3	310222
9	Standard spring washer-12	8	310210
10	Type 1 hexagonal slotted nut M30	3	310223
11	o-ring	2	310224
12	Straight connector	2	312204
13	Double hole pressure plate	1	312205
14	Hexagonal bolt M30X500	3	312206
15	Fixed plate	2	312207
16	Activity plate	2	312208



SH10.04.01_V10 Lift the oil cylinder assembly(312300)

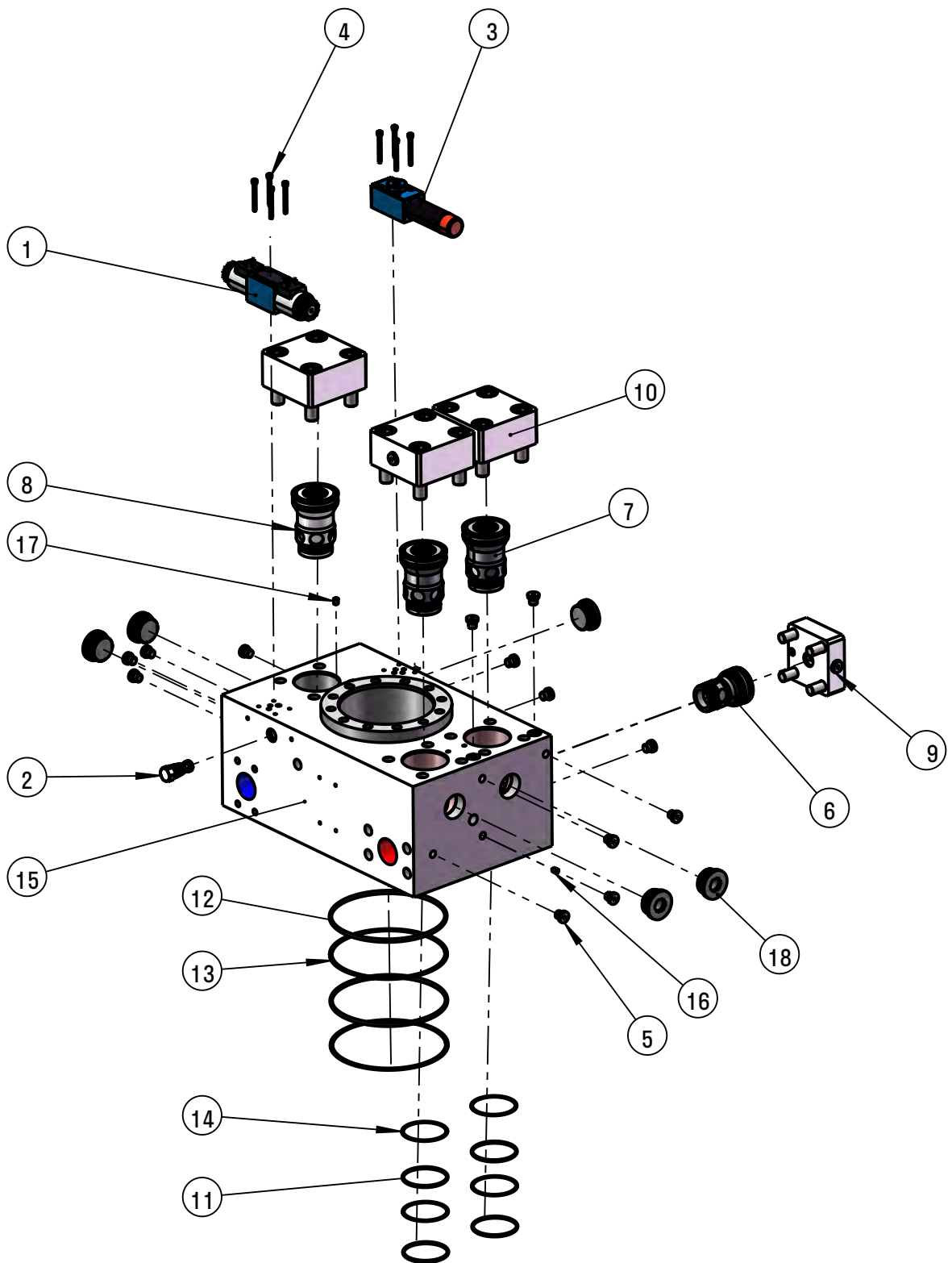
No.	Description	Q'ty	Parts-no.
1	Grease nipple M10×1	1	90791
2	Standard spring washer-16	24	310207
3	Hexagonal socket head screw M20X80	8	312301
4	Hexagonal socket head screw M16X55	24	312302
5	Hexagonal socket head screw M24 X 100	16	310003
6	Standard spring washer 20	8	310105
7	Elastic retaining ring for hole 150	1	312303
8	Standard spring washer-24	16	312304
9	Spherical Plain Bearing	2	312305
10	Spherical Plain Bearing	1	312306
11	Hydraulic oil delivery pipe	3	312307
12	Locking flange	1	312308
13	Oil cylinder connector	1	312309
14	Retaining Ring	1	312310
15	Lift the cylinder body of the oil cylinder	1	312311
16	Lower valve block assembly	1	313100
17	Main valve block assembly	1	313200
18	Piston rod assembly	1	313300
19	Upper cylinder head assembly	1	313400
20	Lower cylinder head assembly	1	313500



SH10.04.01.02

SH10.04.01.0 Lower valve block assembly (313100)

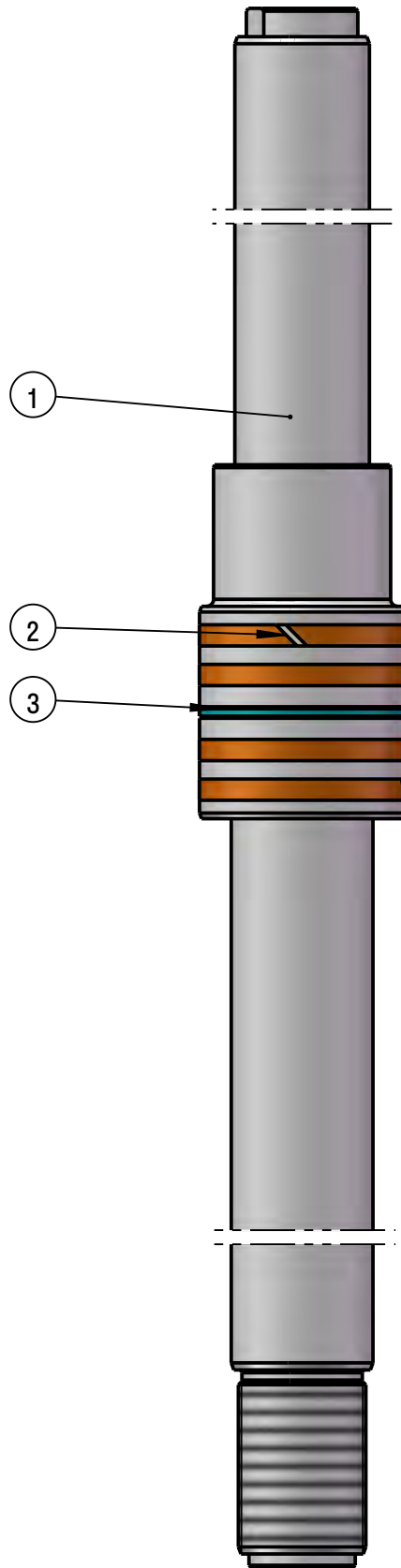
No.	Description	Q'ty	Parts-no.
1	Lower valve block	1	313101
2	Hexagonal plug	2	313102
3	o-ring 69	6	313103
4	o-ring 182.5	2	313104
5	Back-up ring185	2	313105
6	Back-up ring70	6	313106



SH10.04.01.03_V10

SH10.04.01.03_V10 Main valve block assembly (313200)

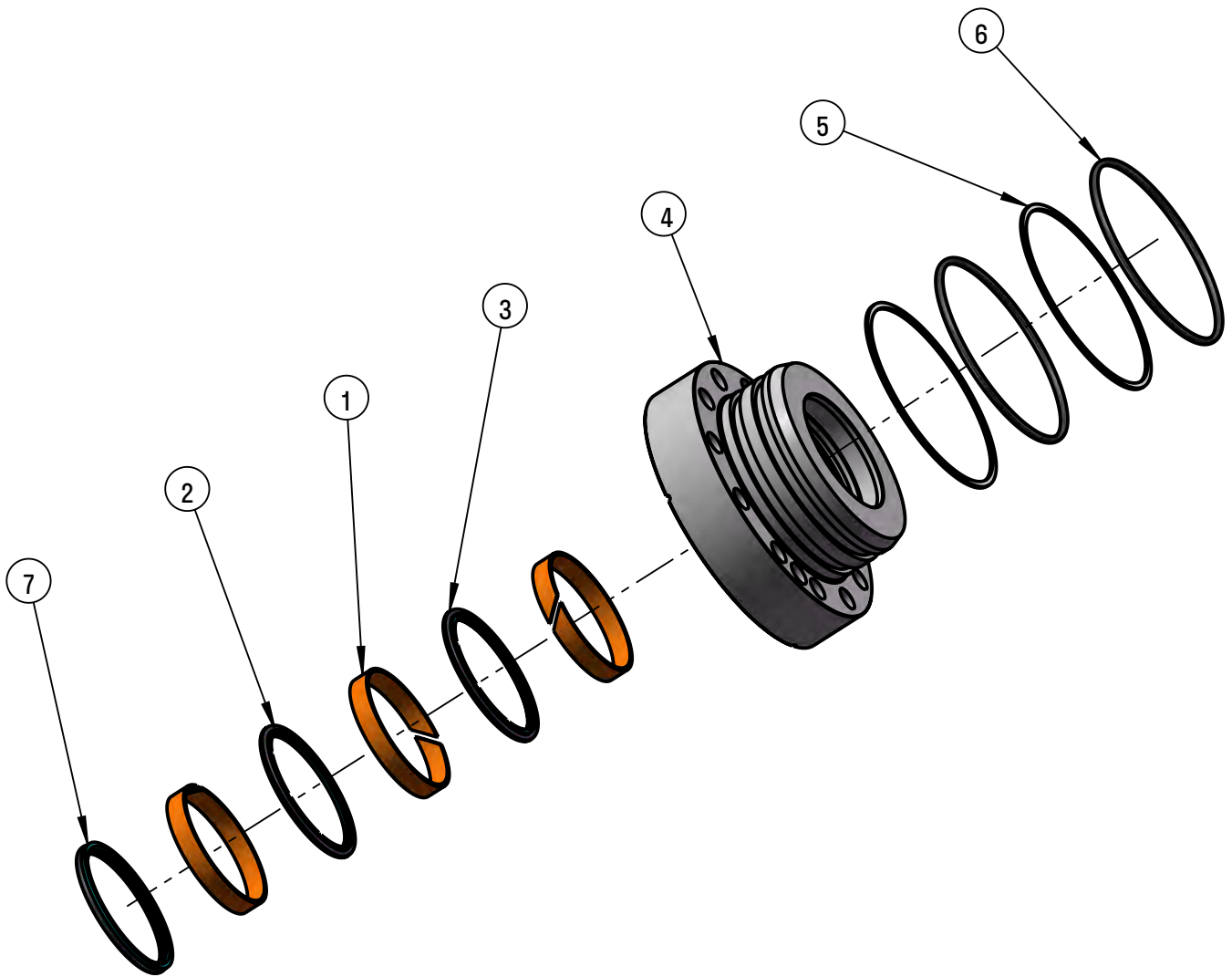
No.	Description	Q'ty	Parts-no.
1	electromagnetic valve	1	313201
2	One-way valve	1	313202
3	Sequence Valve	1	313203
4	Hexagonal socket head screw M5X50	8	313204
5	plug G1/4	13	313205
6	Cartridge valve	1	313206
7	Cartridge valve	2	313207
8	Cartridge valve	1	313208
9	valve cover	1	313209
10	valve cover	3	313210
11	o-ring 69	6	313103
	o-ring 182.5	2	313104
13	Back-up ring185	2	313105
14	Back-up ring70	6	313106
15	Main valve block	1	313211
16	Orifice M8X10	1	313212
17	Orifice M8X10	1	313213
18	plug	5	310111



SH10.04.01.04A

SH10.04.01.04A Piston rod assembly (313300)

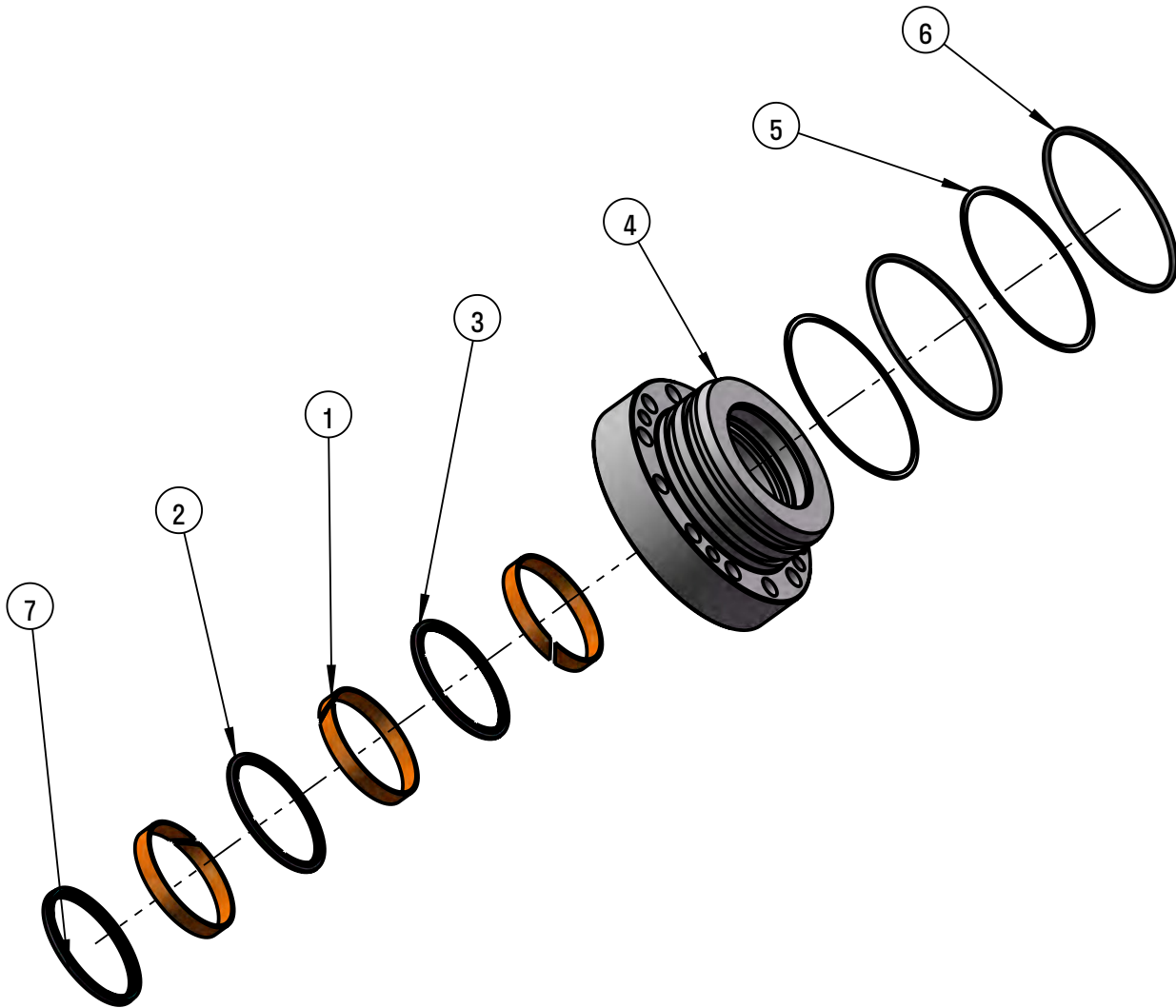
No.	Description	Q'ty	Part-no.
	Piston rod	1	313301
2	Wear ring	4	313302
3	T-shaped Glyd ring	1	313303



SH10.04.01.05A

SH10.04.01.05A Upper cylinder head assembly(313400)

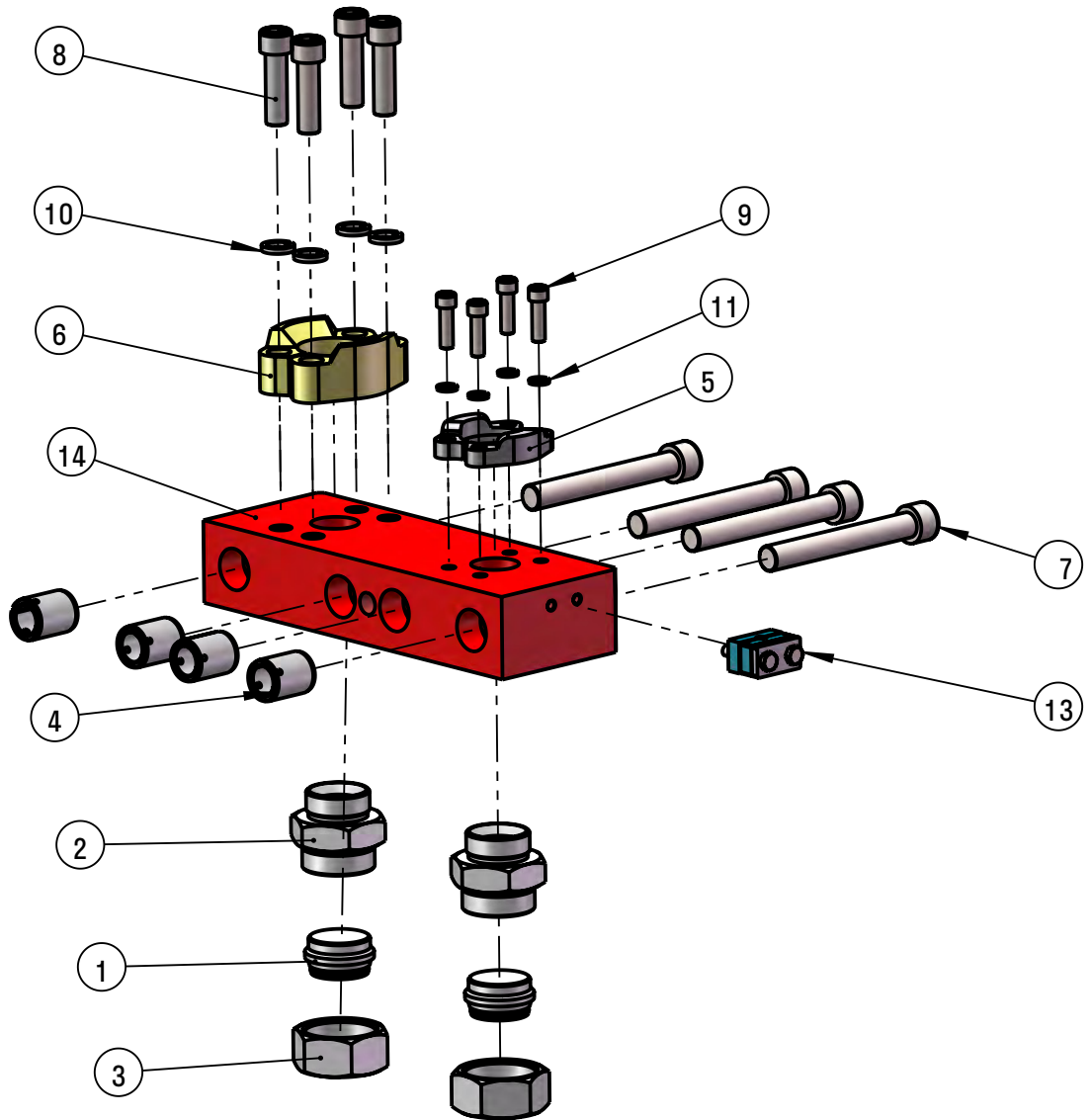
No.	Description	Q'ty	Parts-no.
1	Wear ring	3	313401
2	Rimseal	1	313402
3	Stepseal V	1	313403
4	Upper cylinder head	1	313404
5	Back-up ring	2	313405
6	o-ring	2	313406
7	Scraper	1	313407



SH10.04.01.06A

SH10.04.01.06A Lower cylinder head assembly(313500)

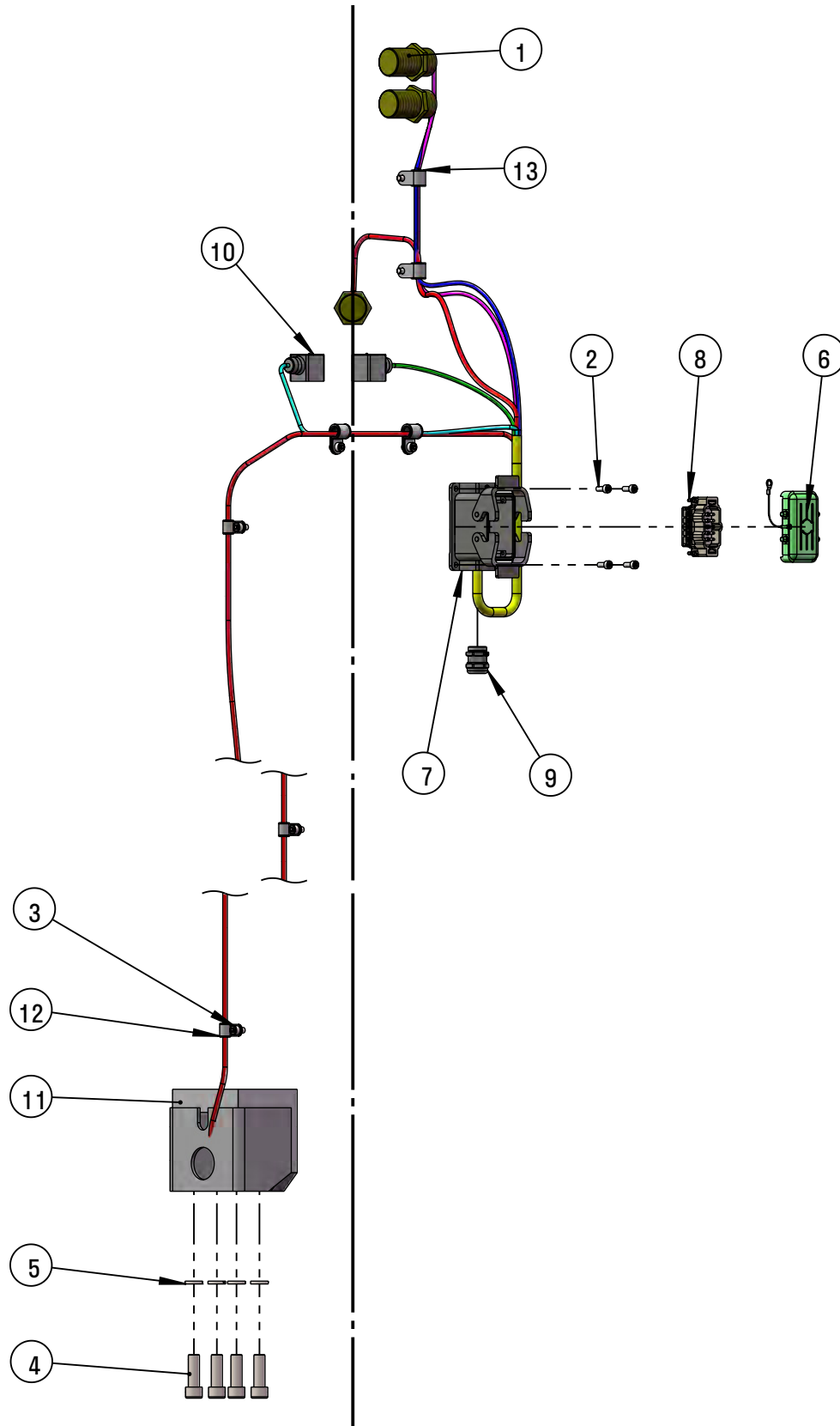
No.	Description	Q'ty	Parts-no.
1	Wear ring	3	313501
2	Rimseal	1	313502
3	Stepseal	1	313503
4	Lower cylinder head	1	313504
5	Back-up ring	2	313505
6	o-ring	2	313506
7	Scraper	1	313507



SH10.04.03_V2line

SH10.04.03_V2Line Oil pipe connection seat assembly (312400)

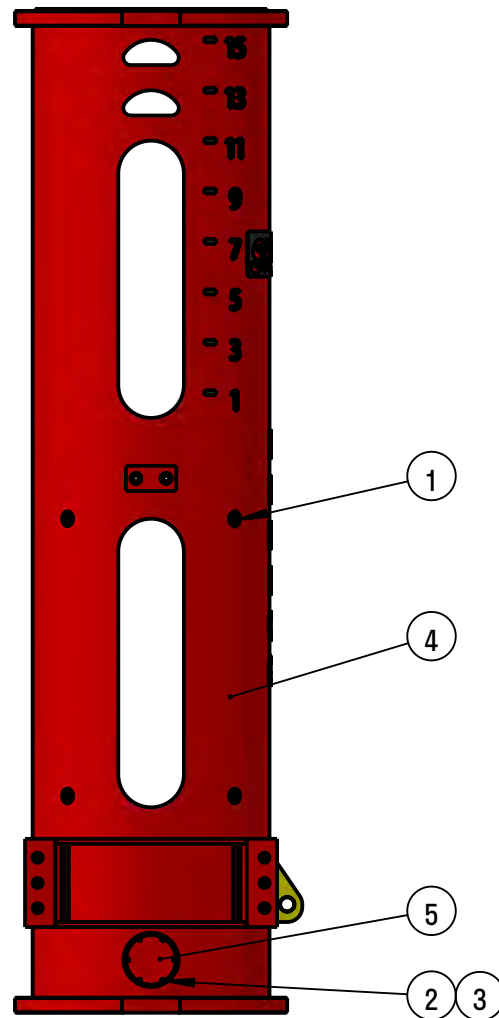
No.	Description	Q'ty	Parts-no.
1	lid	2	312401
2	straight joint	2	312402
3	Nut	2	312403
4	Elastic cylindrical pin40X50	4	312404
5	2"SAE flange clamp	1	310202
6	2"SAE flange clamp	1	310204
7	Hexagonal socket head screw M24X180	4	312405
8	Hexagonal socket head screw M20X70	4	310103
9	Hexagonal socket head screw M12X35	4	310209
10	Standard spring washer 20	4	310105
11	Standard spring washer-12	4	310210
12	Standard spring washer-24	4	312304
13	EO type pipe clamp	1	312406
14	2-wire connector	1	312407
15	Composite gasket	2	312408



SH10.06.00_V10

SH10.06.00_V10 Cable Assembly (310300)

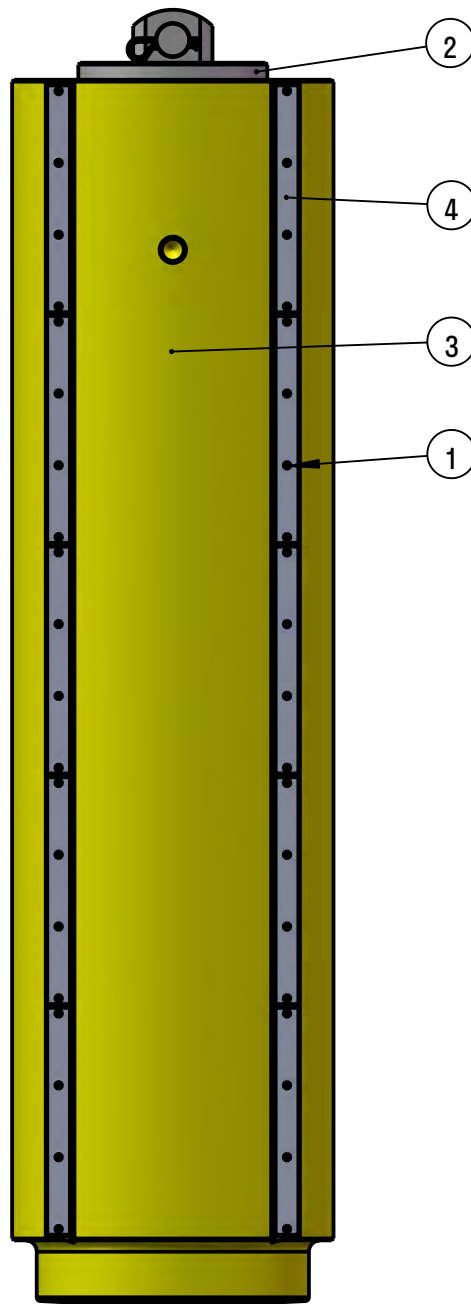
No.	Description	Q'ty	Parts-no.
1	Sensor	4	310301
2	Hexagonal socket head screw M5X12	4	310302
3	Hexagonal socket head screw M6X10	7	310303
4	Hexagonal socket head screw M12X35	4	310207
5	Standard spring washer-12	4	310208
6	Protection covers H10B	1	310304
7	Housings H10B	1	310305
8	Inserts HE-010-M	1	310306
9	Cable glands	1	310307
10	Connector	2	310308
11	Corner Seat	1	310309
12	Clamp 5	3	310310
13	Clamp 7	4	310311



SH12.02.02_V01

SH12.02.02_V01 Lower cylinder assembly(310400)

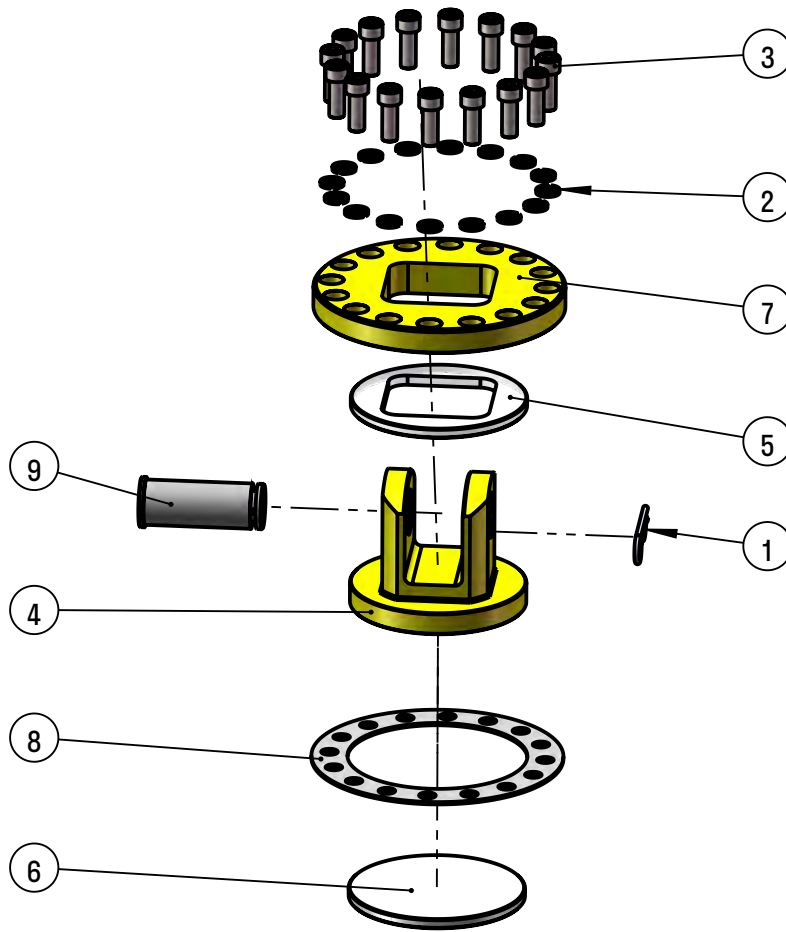
No.	Description	Q'ty	Parts-no.
1	Grease nipple M10×1	8	90791
	Hexagonal socket head screw M6X16	12	310401
3	Standard spring washer 6	12	310402
4	Lower cylinder	1	310403
5	Cover	2	310404



SH14.01.00A_V01

SH14.01.00A_V01 Hammer core assembly 14T(310500)

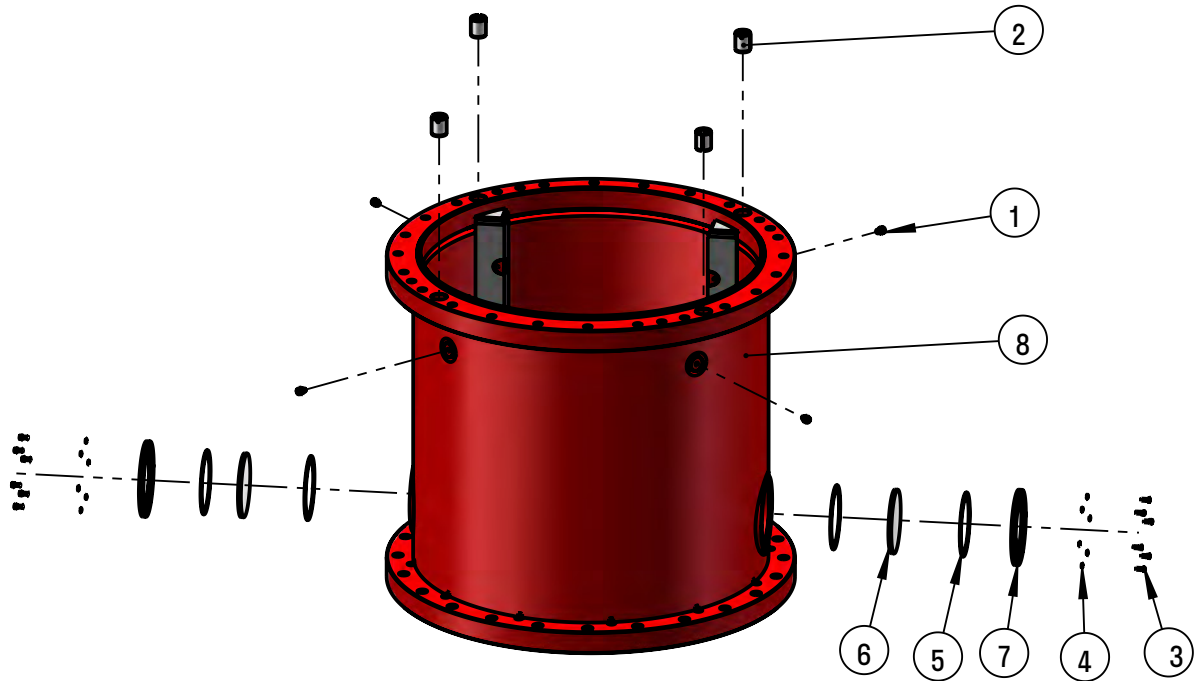
No.	Description	Q'ty	Parts-no.
1	Internal hexagon countersunk screw M10 X 20	160	310501
2	Connecting seat assembly	1	314100
3	Hammer core	1	310502
4	wear plate	40	310503



SH10.01.01A_V01

SH10.01.01A_V01 Connecting seat assembly (314100)

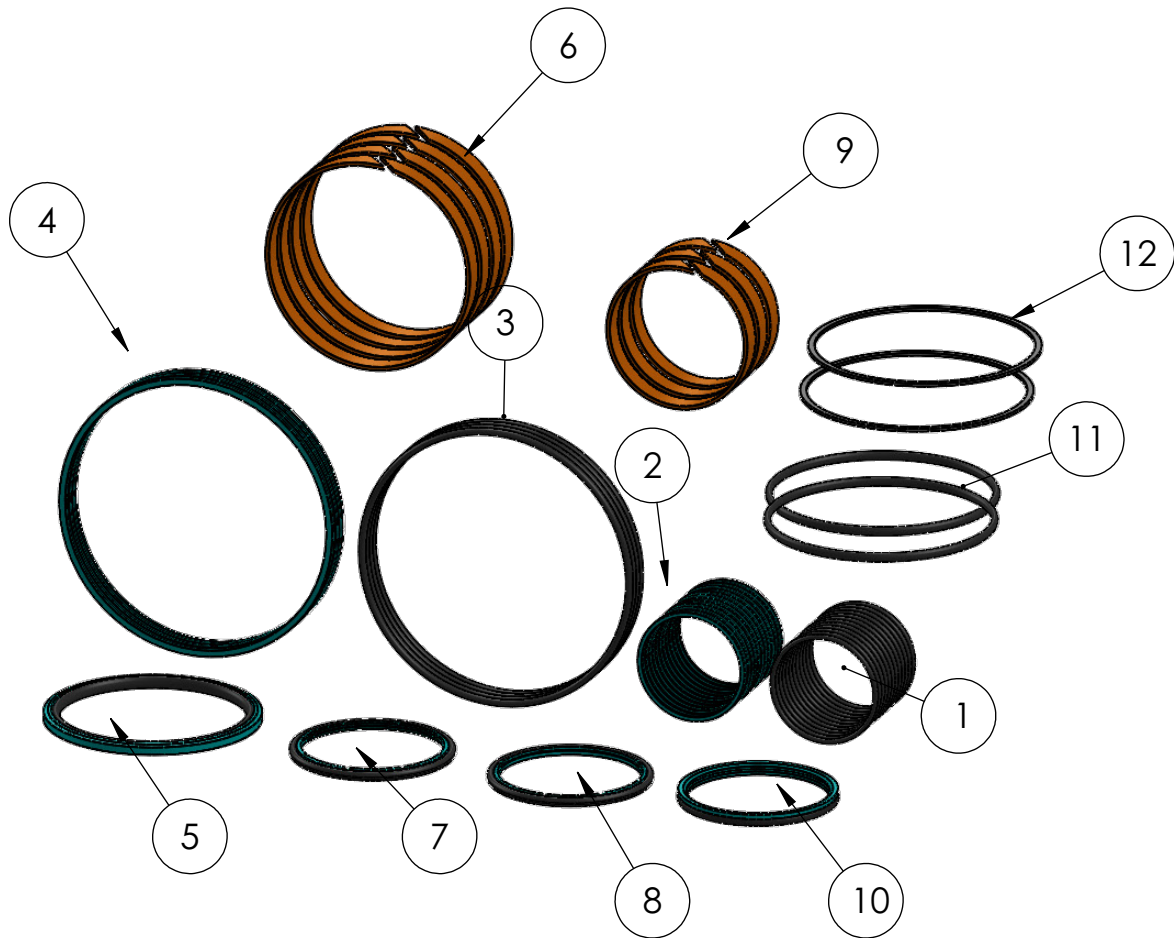
No.	Description	Q'ty	Parts-no.
1	Cotter pin	1	314101
	Standard spring washer30	16	314102
3	Hexagonal socket head screw M30X80	16	314103
4	Connecting seat	1	314104
5	Upper cushion pad	1	314105
6	Under cushion pad	1	314106
7	plate	1	314107
8	grommet	1	314108
9	pin shaft	1	314109



SH14.02.00_V01

SH14.02.00_V01 Extended cylinder assembly 14T (310600)

No.		Description	Q'ty	Parts-no.
1		Grease nipple M10×1	4	90791
2		Elastic cylindrical pin40X50	4	312404
3		Hexagonal socket head screw M6X16	12	310401
4		Standard spring washer 6	12	310402
5		grommet	4	310601
6		Transparent circular	2	310602
7		plate cover	2	310603
8		Extended cylinder body 14T	1	310604



cylinder seal kit (8006528)

ITEM NO.	PART NUMBER	DESCRIPTION	QTY.
1	313103	69X3.55	12
2	313106	70X75.8X1.5 BACKUP RING	12
3	313104	182.5X5.3 ORING	4
4	313105	185X193.6X2 BACKUP RING	4
5	313303	T-SHAPED GLYD RING	1
6	313302	WEAR RING	4
7	313403	STEPSEAL V	1
8	313402	RIMSEAL	1
9	313401	WEAR RING	3
10	313407	SCRAPER	1
11	313406	145X5.3 O RING	2
12	313405	155X146.4X2 BACK-UP RING	2