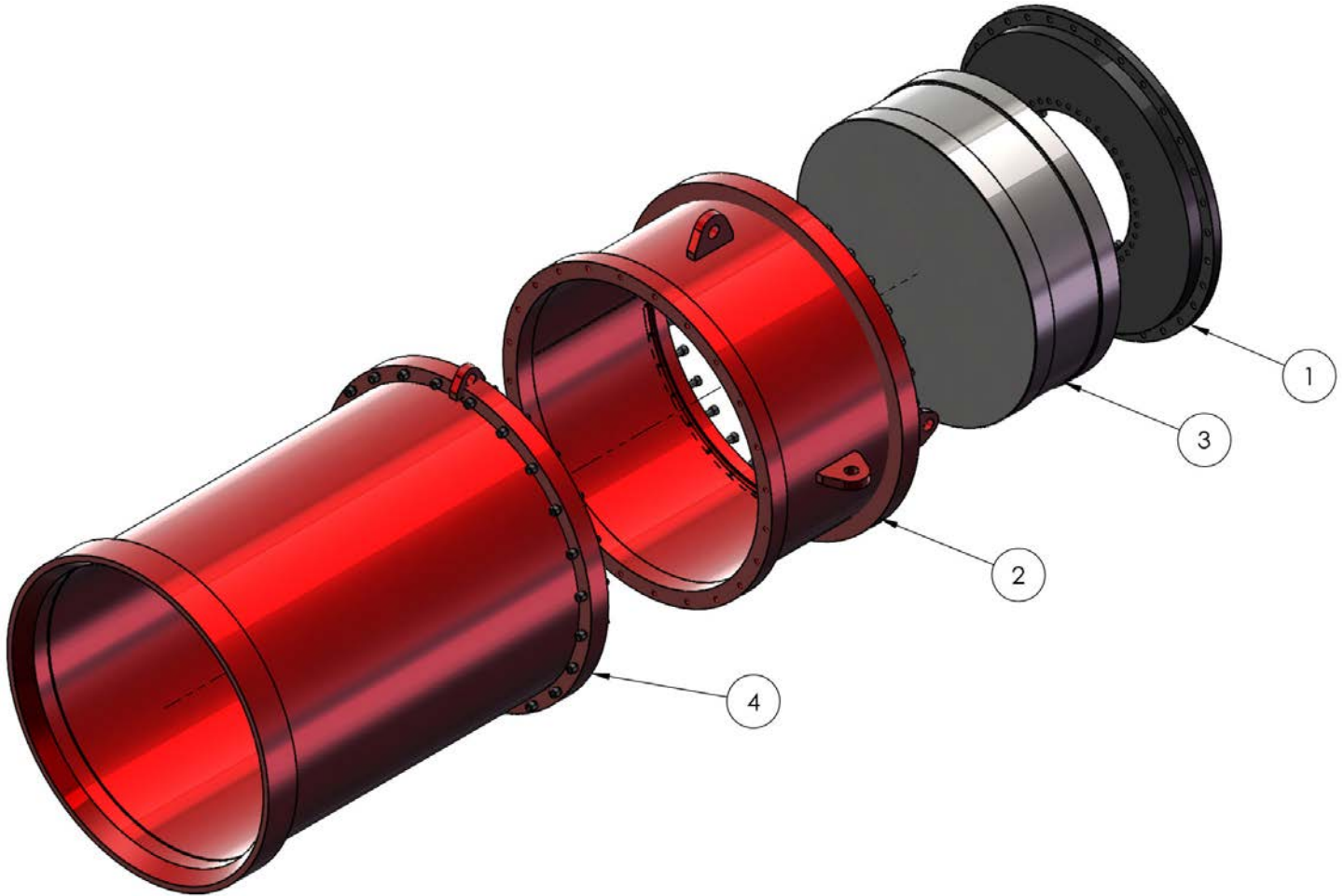


**8001833**

**48" CAP AND SKIRT TO FIT S-150**

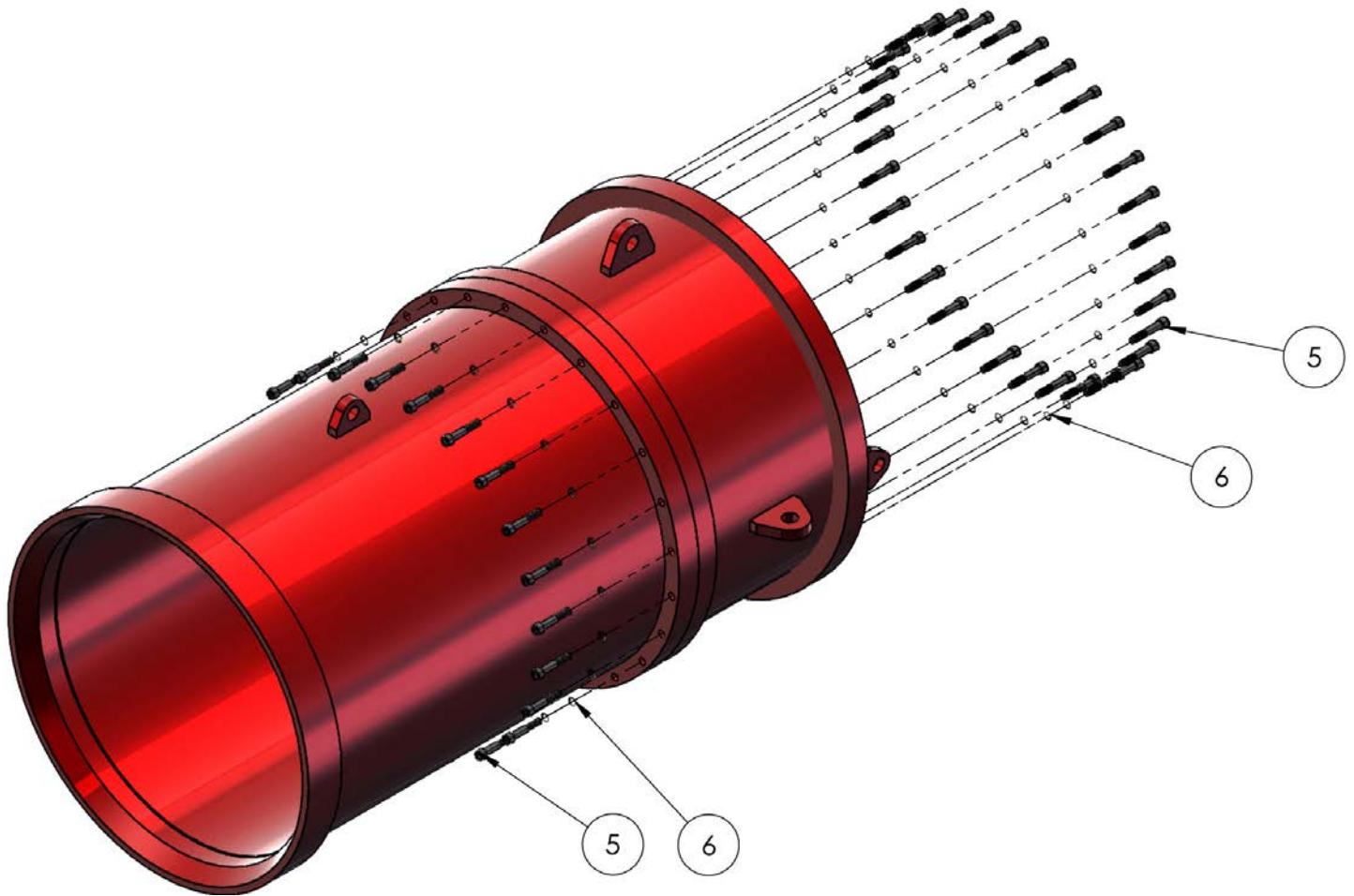


**TOTAL APPROX WEIGHT:  
17,342 LBS**

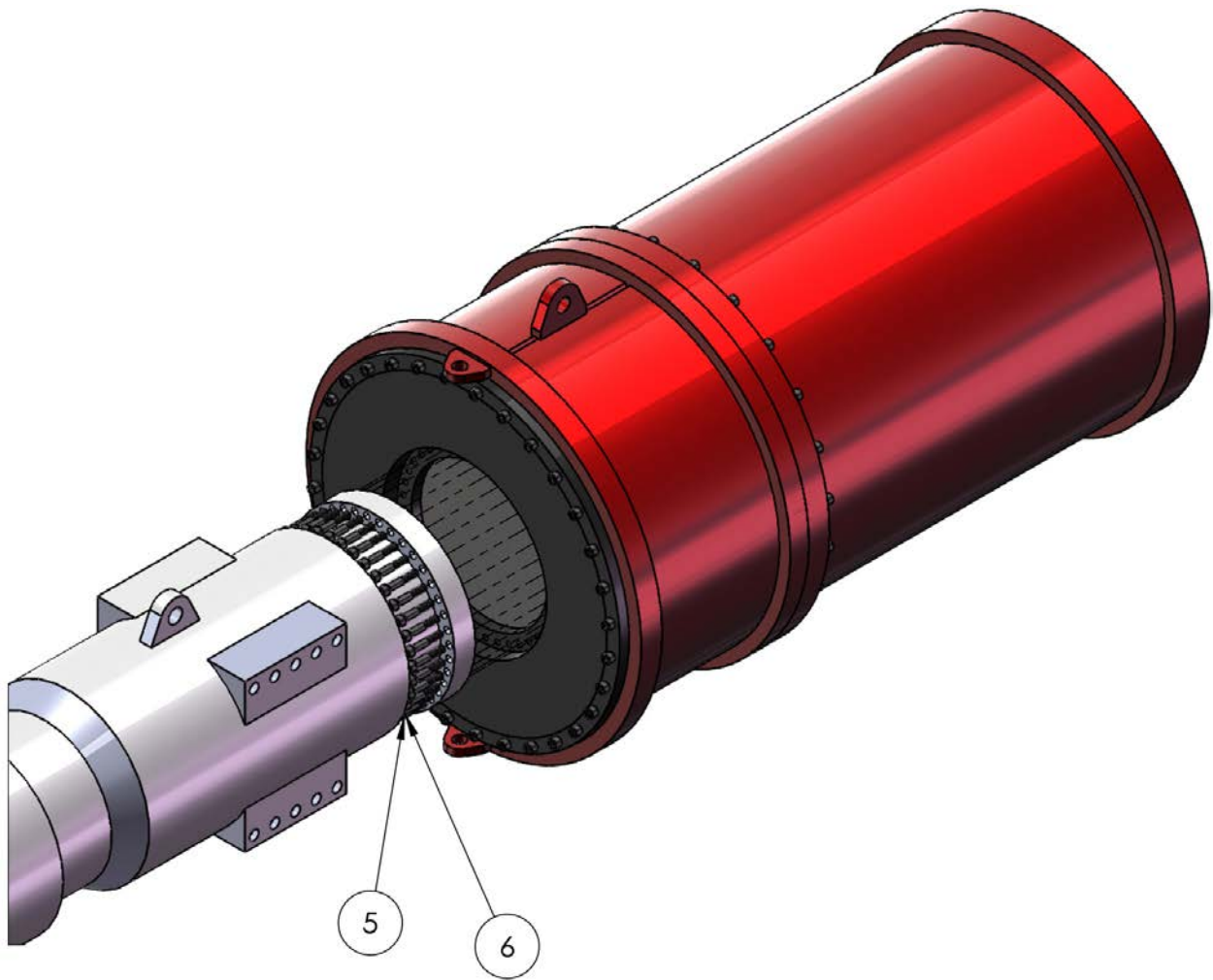
**48" CAP AND SKIRT TO FIT S-150**


**TOTAL APPROX WEIGHT:  
17,342 LBS**

ITEM NO.	PART NO.	DESCRIPTION	QTY.	WEIGHT
1	8001821	IHC S150 RETAINER ADAPTER RING	1	1,651
2	8001825	IHC 48" ANVIL RETAINER	1	2,347
3	8001820	IHC 48" ANVIL	1	9,301
4	800183	IHC 48" SLEEVE	1	4,026
5	8001867	24MM-3.0 x 130 SOCKET HEAD CAP SCREW	96	11
6	85109010	WASHER HV 25MM	96	6



**TOTAL APPROX WEIGHT:  
17,342 LBS**



**TOTAL APPROX WEIGHT:  
17,342 LBS**